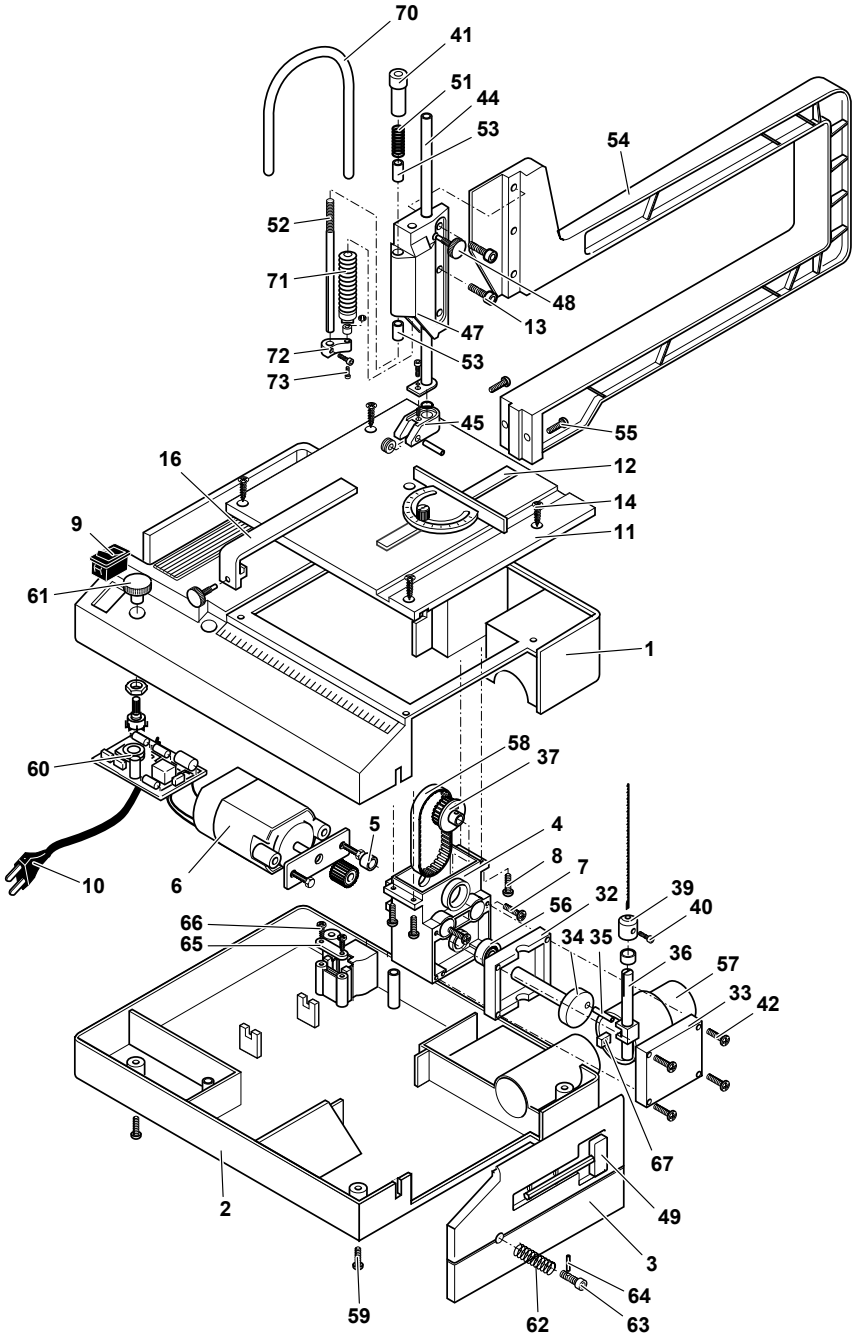


37088 Scroll Saw DS115/E



Spare parts list

Please order spare parts in writing from PROXXON Central Service (Address on back of instruction manual)

Scroll saw DS 115 E

Article No. 37 088

Part No.:	Designation	Part No.:	Designation
37088-01	Housing upper part	37088-48	Guide rod clamp screw
37088-02	Housing lower part	37088-49	Allen key
37088-03	Sliding door	37088-51	Coil spring
37088-04	Gear unit housing	37088-52	Plunger
37088-05	Bearing bushing	37088-53	Bearing bushing
37088-06	Motor with fastening plate and pinion	37088-54	Saw bow
37088-07	Motor fastening bolt	37088-55	Saw bow fastening screws
37088-08	Gear unit fastening bolt	37088-56	Ball bearing
37088-09	Switch	37088-57	Rubber adapter for vacuum cleaner connection
37088-10	Power lead with plug	37088-58	Toothed belt
37088-11	Work platform	37088-59	Fixing bolt
37088-12	Angular stop, complete	37088-60	Board
37088-13	Bolt	37088-61	Control knob
37088-14	Bolt	37088-62	Coil spring
37088-16	Longitudinal stop, complete	37088-63	Lock
37088-32	Slide gate housing part 1	37088-64	Pin
37088-33	Slide gate housing part 2	37088-65	Strain relief
37088-34	Shaft	37088-66	Strain relief screw
37088-35	Pin	37088-67	Slide gate piece
37088-36	Plunger	37088-70	Air hose
37088-37	Pulley with set screw	37088-71	Air bellows
37088-39	Clamping bush	37088-72	Upper clamping ring complete with air bellows holder
37088-40	Clamping bush screw	37088-73	Clamping bolt for saw blade
37088-41	Tensioning screw	37088-97	Packaging
37088-42	Fixing bolts	37088-99	Operating Instructions (incl. safety information)
37088-44	Guide rod		
37088-45	Hold-down device complete with jet and roller		
37088-47	Vertical adjustment		