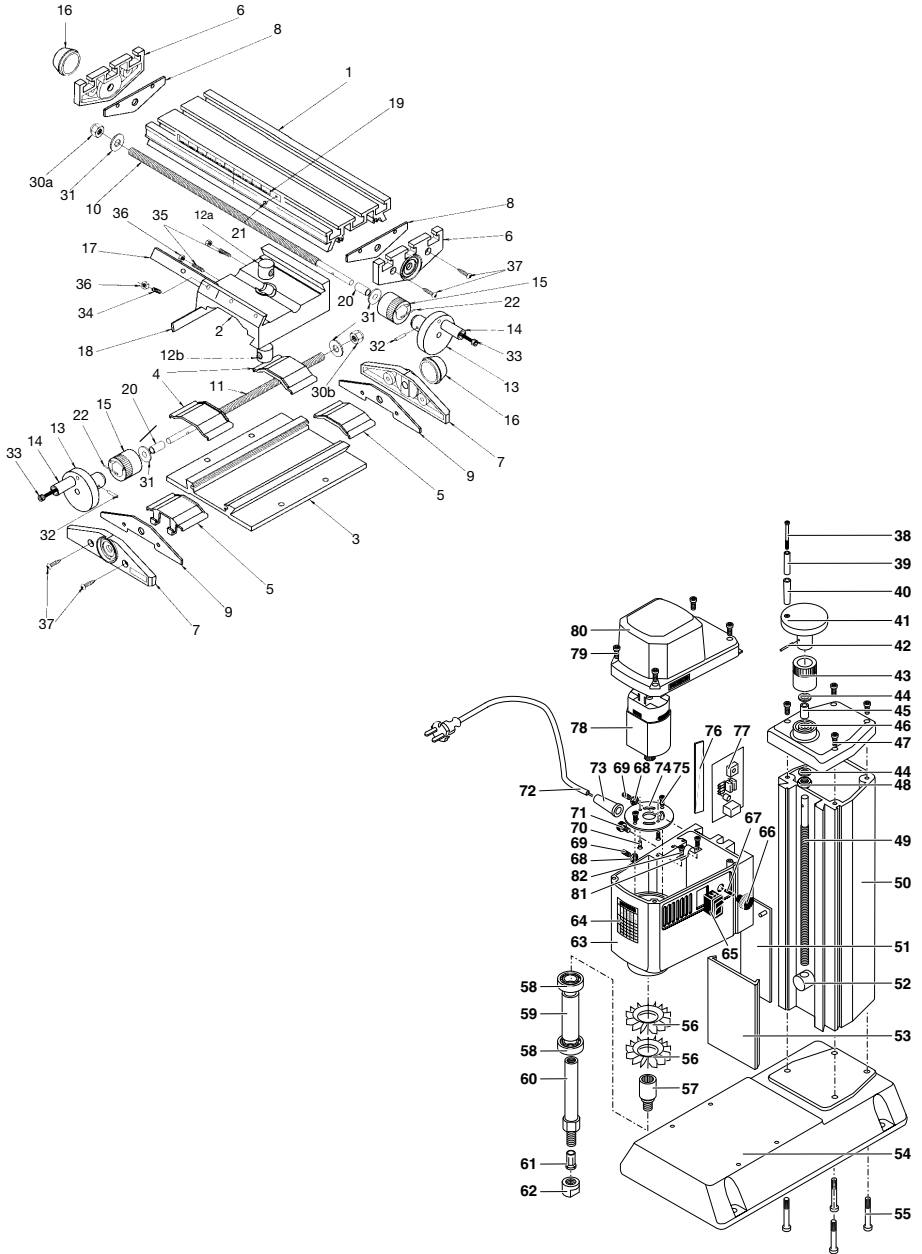


# 37110 Micro Milling Machine MF70



## ***Spare parts list***

Please order spare parts in writing from PROXXON Central Service  
(Address on back of instruction manual)

### **PROXXON Micro Milling Machine MF 70**

Part No.:	Designation	Part No.:	Designation
37110-01	Work table	27110-46	Cover
37110-02	Support	27110-47	Screw
37110-03	Base plate	27110-48	Stop nut
37110-04	Cutting guard	27110-49	Z spindle
37110-05	Cutting guard base	27110-50	Z pillar
37110-06	Upper cover	27110-51	Upper spindle cover
37110-07	Lower cover	27110-52	Spindle nut
37110-08	Upper intermediate plate	27110-53	Lower spindle cover
37110-09	Lower intermediate plate	27110-54	Base
37110-10	X spindle	27110-55	Screw
37110-11	Y spindle	27110-56	Fan
37110-12a	Spindle nut	27110-57	Shaft joint
37110-12b	Spindle nut	27110-58	Ball bearing
37110-13	Handwheel	27100-59	Sleeve
37110-14	Handle	27110-60	Shaft
37110-15	Scale ring	27110-61	Collet chuck (accessories)
37110-16	Plug	27110-62	Collet nut
37110-17	Upper adjusting plate	27110-63	Main housing
37110-18	Lower adjusting plate	27110-64	Table
37110-19	Scale	27110-65	Switch
37110-20	Bushing	27110-66	Rotary knob
37110-21	Rivet	27110-67	Shaft
37110-22	Spring	27110-68	Lock nut
37110-30a	Nut	27110-69	Set screw
37110-30b	Nut	27110-70	Motor screw
37110-31	Pulley	27110-71	Clamp screw
37110-32	Pin	27110-72	Mains cable
37110-33	Screw	27110-73	Anti-kink grommet
37110-34	Short set screw	27110-74	Motor plate
37110-35	Long set screw	27110-75	Screw for motor plate
37110-36	Nut	27110-76	Wedge strip
37110-37	Screw	27110-77	Control
37110-38	Screw	27110-78	Motor incl. pinion
37110-39	Brass sleeve	27110-79	Screw
37110-40	Plastic sleeve	27110-80	Cover
37110-41	Handwheel	27110-81	Strain relief
37110-42	Pin	27110-82	Screw for strain relief
37110-43	Scale ring	27110-97	Packaging
37110-44	Washer	27110-99	Operating instructions incl. safety regulations
27110-45	Sleeve		