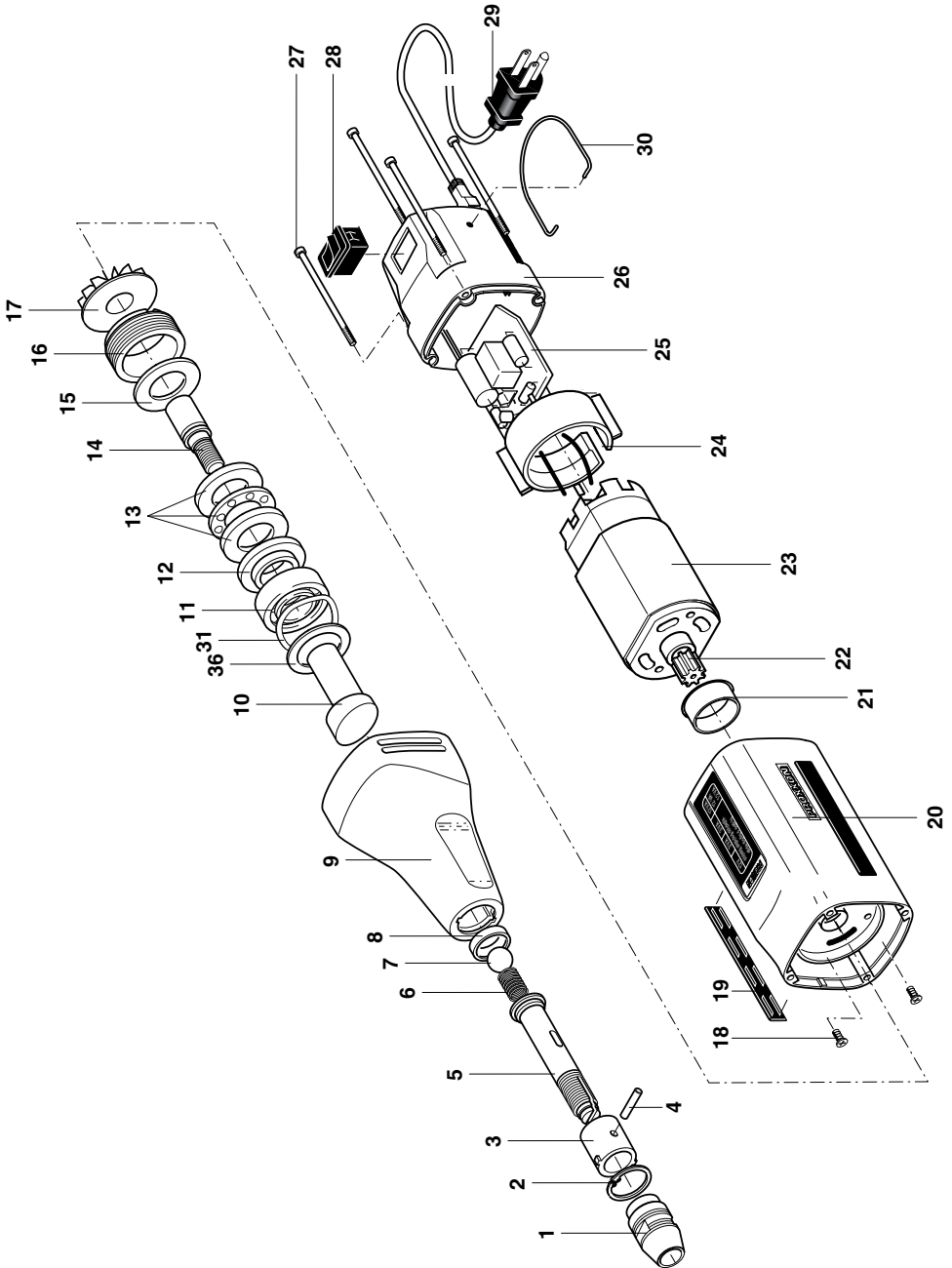


38644 Power Carver MOS



PROXXON-Micromot Motorized Carver MOS Parts list MOS (article-number 38644)

Please order spare parts in writing from PROXXON Service center (Address on back of instruction manual)

Part no.:	Designation	Part no.:	Designation
28644-01	Cap nut	28644-18	Motor screw
28644-02	Circlips	28644-19	Protective strip
28644-03	Bushing	28644-20	Motor casing, complete
28644-04	Pin	28644-21	Centering ring
28644-05	Plunger	28644-22	Pignon
28644-06	Spring	38644-23	Motor, 11000 U/min
28644-07	Ball, hardened	28644-24	Support ring
28644-08	Cap	28644-25	Board
28644-09	Head	28644-26	Cap, short
28644-10	Shaft	28644-27	Casing screws
28644-11	Bearing 8x19x6	28644-28	Switch
28644-12	Spacer	38644-29	Power supply cord
28644-13	Bearing 8x19, h=7	28644-30	Bow
28644-14	Shaft	28644-31	Spring washer
28644-15	Washer	28644-36	Shim
28644-16	Brass nut M16x1	28644-93	Label
28644-17	Fan	28644-99	Manual incl. Safety instructions

LIMITED WARRANTY OF PROXXON POWER TOOLS FOR HOME USE

Prox-Tech, Inc., ("Seller") warrants to the original purchaser only, that all PROXXON consumer power tools will be free from defects in material or workmanship for a period of two years from the date of purchase. Seller's sole obligation and your exclusive remedy under this limited warranty and, to the extent permitted by law, any warranty or condition implied by law, shall be the repair or replacement of parts, without charge, which are defective in material or workmanship and which have not been misused, carelessly handled, or misrepaired by persons other than Seller or Authorized Service Station. In the event of a failure of a product to conform to this written warranty, please refer to the Service and Repair section on the back of this manual and take action accordingly.

This Limited Warranty does not apply to accessory items such as circular saw blades, drill bits, router bits, jigsaw blades, sanding belts, grinding wheels and other related items. Damage to the product resulting from tampering, accident, abuse, negligence, unauthorized repairs or alterations, unapproved attachments or other causes unrelated to problems with material or workmanship are not covered by this warranty.

Any implied warranties shall be limited in duration to two years from date of purchase. Some states in the U.S. and some Canadian provinces do not allow limitations on how long an implied warranty lasts, so the above limitation may not apply to you.

In no event shall seller be liable for any incidental or consequential damages (including but not limited to liability for loss of profits) arising from the sale or use of this product. Some states in the U.S. and some Canadian provinces do not allow the exclusion or limitation of incidental or consequential damages; so the above limitation or exclusion may not apply to you. This limited warranty gives you specific legal rights, and you may also have other rights, which vary from state to state in the U.S., province to province in Canada and from country to country. This limited warranty applies only to PROXXON power tools sold within the United States of America, Canada, the commonwealth of Puerto Rico and Mexico. For warranty coverage within other countries contact your local PROXXON Importer.